

Specifier's Reference
Project
Type
Model No.
Comments or Special Instructions

# PHOENIX-8000 RGB OUTDOOR LED WALL WASHER

## APPLICATION

The PHOENIX-8000 Series LED Light Source is a multi-controllable light engine designed for the outdoor architectural, landscaping industry. This light source can be used as a standalone or can be programmable using DMX 512, RS232 SERIAL, RF and Simple Dimmer Controller.

## HIGH CONTROL RESOLUTION

The Phoenix-8000 DIS Series LED wall washer light Source supports a 16-bit control resolution per output channel for accurate dimming and fine color mixing.

## LOW EMI

Slow-rate controlled dimming and shielded conductors keep the driver's EMI emissions at a very low level.

## ROBUST THERMAL MANAGEMENT

The Phoenix's Sync® module creates turbulent, pulsated air-jets that can be directed precisely to locations where thermal management is needed. The vortex-dominated SynJet flow enhances small-scale mixing near the heated surfaces to yield higher effective heat transfer at low-volume flow rates compared to conventional air movers. The SynJet flow is created using a patented actuator technology and proprietary fluidic packaging expertise.

## FEATURES

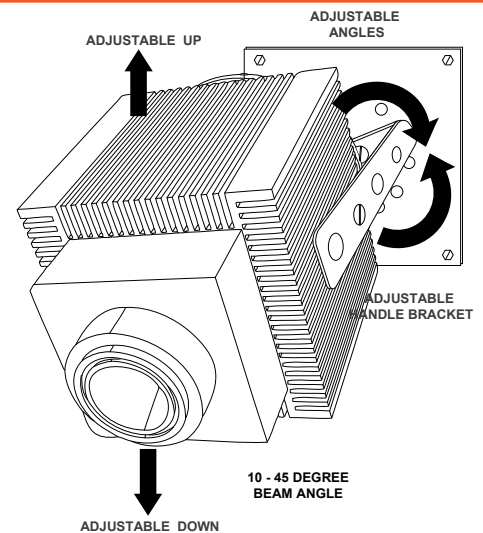
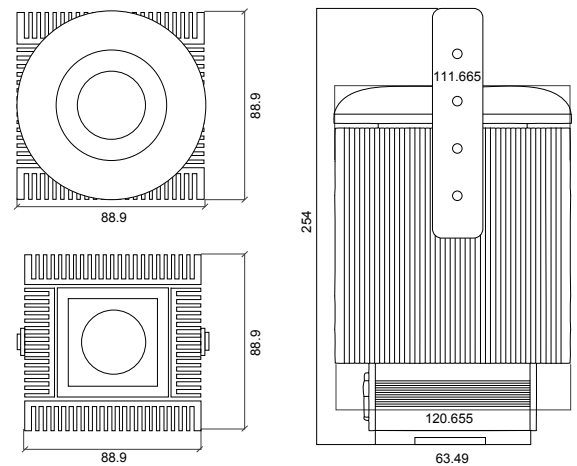
- 2700 lumens output - brightest in the industry
- Thermal sensor protection for longer LED lifespan

## ADVANTAGES

- Accurate, smooth dimming and high-res colour mixing
- Drive, control and thermal protection per fixture
- Easy network

## SPECIFICATION

PARAMETER	MAX RATING
Input Voltage to Power Supply	100-240 VAC
Input Voltage to Light Source	24 V
Amps	4 Amps
Wattage	96W Max
Hz	50/60
Fiber Capacity	1000
Operating Temp	-10°C to 50°C
Weight	7 lbs
Outdoor Rating	IP67
Color	Anodized Coated Black <small>*optional colors available upon request</small>
HOUSING	Aluminum



## ORDERING INFORMATION

	COLOR	DEVICE	STANDARD PLUGIN	CABLE LENGTH
Phoenix-8000-	PURE WHITE	PW	DMX	5 FT
	WARM WHITE	WW	RF	25 FT
	MIX RGB	MX	SIMPLE CONTROL DIMMER (WHITE ONLY)	75 FT
	MIXED RGBA	MA	RS23S	100 FT
	MIXED RGBW	MW		CUSTOM

